

# ARISTA

## Quick Start Guide

**7060 Series 1 RU (Gen 3)  
Data Center Switches**

**Arista Networks**

[www.arista.com](http://www.arista.com)

PDOC-00142-03

<b>Headquarters</b>	<b>Support</b>	<b>Sales</b>
5453 Great America Parkway Santa Clara, CA 95054 USA		
+1 408 547-5500	+1 408 547-5502 +1 866 476-0000	+1 408 547-5501 +1 866 497-0000
<a href="http://www.arista.com">www.arista.com</a>	<a href="mailto:support@arista.com">support@arista.com</a>	<a href="mailto:sales@arista.com">sales@arista.com</a>

© Copyright 2022 Arista Networks, Inc. The information contained herein is subject to change without notice. Arista Networks and the Arista logo are trademarks of Arista Networks, Inc in the United States and other countries. Other product or service names may be trademarks or service marks of others.

# Contents

<b>Chapter 1: Overview.....</b>	<b>1</b>
1.1 Scope.....	1
1.2 Receiving and Inspecting the Equipment.....	1
1.3 Installation Process.....	1
1.4 Safety Information.....	2
1.5 Obtaining Technical Assistance.....	2
1.6 Specifications.....	3
<b>Chapter 2: Preparation.....</b>	<b>5</b>
2.1 Site Selection.....	5
2.2 Tools and Parts Required for Installation.....	6
2.3 Electrostatic Discharge (ESD) Precautions.....	7
<b>Chapter 3: Rack Mounting the Switch.....</b>	<b>9</b>
3.1 Two-Post Rack Mount.....	9
3.1.1 Attaching Mounting Brackets to the Chassis.....	9
3.1.2 Inserting the Switch into the Rack.....	10
3.2 Four-Post Rack Mount.....	11
3.2.1 Attaching Mounting Brackets to the Chassis.....	12
3.2.2 Assembling the Rails onto the Equipment Rack.....	13
3.2.3 Attaching the Switch to the Rack.....	14
<b>Chapter 4: Cabling the Switch.....</b>	<b>17</b>
4.1 Grounding the Switch.....	17
4.2 Connecting Power Cables.....	18
4.2.1 AC Power Supplies.....	19
4.2.2 DC Power Supplies.....	19
4.2.3 Connecting the PWR-500-DC Power Supply.....	20
4.3 Connecting Serial and Management Cables.....	21
<b>Chapter 5: Configuring the Switch.....</b>	<b>23</b>
<b>Appendix A: Status Indicators.....</b>	<b>25</b>
A.1 Front Indicators.....	25
A.1.1 Switch Indicators.....	25
A.1.2 Port Indicators.....	27
A.2 Rear Status Indicators.....	27
<b>Appendix B: Parts List.....</b>	<b>31</b>
B.1 Rack Mount Parts.....	31
B.1.1 Four-Post Rack Mount Parts.....	31
B.1.2 Two-Post Rack Mount Parts.....	31
B.2 Cables.....	32

<b>Appendix C: Front Panel.....</b>	<b>33</b>
<b>Appendix D: Rear Panel.....</b>	<b>35</b>
<b>Appendix E: Maintenance and Field Replacement.....</b>	<b>37</b>
E.1 Considerations.....	37
E.2 Power Supplies.....	37
E.2.1 Removing a Power Supply.....	37
E.2.2 Installing a Power Supply.....	38
E.3 Fan Modules.....	38
E.3.1 Removing a Fan Module.....	38
E.3.2 Installing a Fan Module.....	39
<b>Appendix F: Regulatory Model Numbers.....</b>	<b>41</b>
<b>Appendix G: Taiwan RoHS Information.....</b>	<b>43</b>

## Overview

---

The following topics are covered in this section:

- [Scope](#)
- [Receiving and Inspecting the Equipment](#)
- [Installation Process](#)
- [Safety Information](#)
- [Obtaining Technical Assistance](#)
- [Specifications](#)

The Arista 7060X and 7260X Series are a range of 1RU and 2RU high performance 25G, 40G, 100G and 400G high density, fixed configuration, data center switches with wire speed layer 2 and layer 3 features, and advanced features for software driven cloud networking. The Arista 7060X and 7260X deliver a rich choice of interface speed and density allowing networks to seamlessly evolve from 10G/40G to 25G/100G and 200G/400G. With support for advanced EOS features these switches are ideal for large scale cloud, traditional and fully virtualized data centers. The Arista 7060SX2-48YC6 and 7060CX2-32S provide support for IEEE 25GbE and support a shared packet buffer pool of 22 MB with a consistent low latency of 450ns.

### 1.1 Scope

This guide is intended for properly trained service personnel and technicians who need to install the following Arista Networks Data Center Switches:

DCS-7060CX-32S	DCS-7060CX2-32S	DCS-7060SX2-48YC6
DCS7060PX4-32	DCS7060DX4-32	DCS-7060DX4-32S



**Important:** Only qualified personnel should install, service, or replace this equipment.

Seul le personnel qualifié doit installer, service, ou remplacer cet équipement.

### 1.2 Receiving and Inspecting the Equipment

Upon receiving the switch, inspect the shipping boxes and record any external damage. Retain packing materials if you suspect that part of the shipment is damaged; the carrier may need to inspect them.

If the boxes were not damaged in transit, unpack them carefully. Ensure that you do not discard any accessories that may be packaged in the same box as the main unit.

Inspect the packing list and confirm that you received all listed items. Compare the packing list with your purchase order. [Parts List](#) provides a list of components included with the switch.

### 1.3 Installation Process

The following tasks are required to install and use the switch:

1. Select and prepare the installation site ([Site Selection](#)).
2. Assemble the installation tools listed ([Tools and Parts Required for Installation](#)).
3. Attach the mounting brackets and install the switch in an equipment rack ([Rack Mounting the Switch](#)).
4. Connect the switch to the power source and network devices ([Cabling the Switch](#)).
5. Configure the switch ([Configuring the Switch](#)).



**Important:** Class 1 Laser Product: This product has provisions to install Class 1 laser transceivers which provide optical coupling to the communication network. Once a Class 1 laser product is installed, the equipment is a Class 1 Laser Product. The customer is responsible for selecting and installing the Class 1 laser transceiver and for insuring that the Class 1 AEL (Allowable Emission Limit) per EN/IEC 60825, CSA E60825-1, and Code of Federal Regulations 21 CFR 1040 is not exceeded after the laser transceiver have been installed. Do not install laser products whose class rating is greater than 1. Refer to all safety instructions that accompanied the transceiver prior to installation. Only Class 1 laser devices, certified for use in the country of installation by the cognizant agency are to be utilized in this product.

Produit Laser de classe 1: Ce produit a des dispositions pour installer des émetteurs-récepteurs de laser de classe 1 qui offre de couplage au réseau de communication optique. Une fois un produit laser de classe 1 est installé, l'équipement est un produit Laser de classe 1 (Appareil à Laser de Classe 1). Le client est responsable pour sélectionner et installer l'émetteur/récepteur de laser de classe 1 et pour assurer que la classe 1 AEL (limite d'émission admissible) par EN/IEC 6-825, CSA E60825-1, et Code des règlements fédéraux 21 CFR 1040 ne soit pas dépassée après avoir installé l'émetteur/récepteur de laser. Ne pas installer des appareils à laser dont la cote de classe est supérieure à 1. Voir toutes les consignes de sécurité qui ont accompagné l'émetteur-récepteur avant l'installation. Seuls appareils laser de classe 1 certifiés pour une utilisation dans le pays d'installation par l'organisme compétent doivent être utilisées dans ce produit. Ultimate disposal of this product should be in accordance with all applicable laws and regulations.



**Important:** Ultimate disposal of this product should be handled in accordance with all national laws and regulations.

L'élimination finale de ce produit doit être effectuée conformément à toutes les lois nationales et règlements.

## 1.4 Safety Information

Refer to the Arista Networks document *Safety Information and Translated Safety Warnings* available at: <https://www.arista.com/en/support/product-documentation>.

## 1.5 Obtaining Technical Assistance

Any customer, partner, reseller or distributor holding a valid Arista Service Contract can obtain technical support in any of the following ways:

- **Email:** support@arista.com. This is the easiest way to create a new service request. Include a detailed description of the problem and the output of “show tech-support”.
- **Web:** <https://www.arista.com/en/support>.

A support case may be created through the support portal on our website. You may also download the most current software and documentation, as well as view FAQs, Knowledge Base articles, Security Advisories, and Field Notices.

- **Phone:** +1 866-476-0000 or +1 408-547-5502.



**Important:** No user serviceable parts inside. Refer all servicing to qualified service personnel.

Aucune pièce réparable par l'utilisateur à l'intérieur. Confiez toute réparation à un technicien qualifié.

## 1.6 Specifications

**Table 1: Switch Specifications (Dimensions and Weights)**

Switch	Size (W x H x D)	Weight
DCS-7060CX-32S	48.3 x 4.4 x 40.6 cm (19 x 1.75 x 16 inches)	9.5 kg (21.0 lbs.)
DCS-7060CX2-32S	48.3 x 4.4 x 40.6 cm (19 x 1.75 x 16 inches)	9.5 kg (21.0 lbs.)
DCS-7060SX2-48YC6	48.3 x 4.4 x 40.6 cm (19 x 1.75 x 16 inches)	8.8 kg (19.4 lbs.)
DCS-7060PX4-32	48.3 x 4.4 x 67.0 cm (19 x 1.75 x 26.4 inches)	9.5 kg (21.0 lbs.)
DCS-7060DX4-32	48.3 x 4.4 x 67.0 cm (19 x 1.75 x 26.4 inches)	9.5 kg (21.0 lbs.)
DCS-7060DX4-32S	44.0 x 4.4 x 54.6 cm (19 x 1.75 x 21.5 inches)	10.5 kg (23.0 lbs.)

**Table 2: Switch Specifications (Operational and Storage)**

Switch	Operating Temperature	Storage Temperature	Operating Altitude	Relative Humidity
All	0° to 40°C (32° to 104°F)	-25° to 70°C (-13° to 158°F)	0 to 3,000 meters (0 to 10,000 feet)	5 to 90% (non-condensing)

**Table 3: Switch Specifications (Power Input)**

Power Source	PSU Models	Ratings
Power Input (AC Power)	PWR-500AC	100 - 240 VAC, 6.5 to 3.0 A, 50/60 Hz
Power Input (DC Power)	PWR-500-DC	-48 to -60 VDC, 15 A
Power Input (AC Power)	PWR-1611-AC-RED	200 - 240 VAC, 11.2 to 9.5 A, 50/60 Hz

**Table 4: Switch Specifications (Power Draw)**

<b>Switch</b>	<b>Power Draw (Typical / Maximum)</b>	<b>Supported Power Supply</b>
DCS-7060CX-32S	220 W / 410 W	PWR-500AC PWR-500-DC
DCS-7060CX2-32S	220 W / 410 W	PWR-500AC PWR-500-DC
DCS-7060SX2-48YC6	240 W / 385 W	PWR-500AC PWR-500-DC
DCS-7060PX4-32	640 W / 915 W	PWR-1611-AC-RED
DCS-7060DX4-32	690 W / 980 W	PWR-1611-AC-RED



## Preparation

---

The following topics are covered in this section:

- [Site Selection](#)
- [Tools and Parts Required for Installation](#)
- [Electrostatic Discharge \(ESD\) Precautions](#)

### 2.1 Site Selection

The following criteria should be considered when selecting a site to install the switch:

- **Temperature and Ventilation:** For proper ventilation, install the switch where there is ample airflow to the front and back of the switch. The ambient temperature should not go below 0° or exceed 40°C.



**Important:** To prevent the switch from overheating, do not operate it in an area where the ambient temperature exceeds 40°C (104°F).

Pour empêcher l'interrupteur de surchauffe, ne pas utiliser il dans une zone où la température ambiante est supérieure à 40°C (104°F).

- **Airflow Orientation:** Determine airflow direction of the four fan modules and two power supply modules on the rear panel. Fan and power supply module handles indicate airflow direction:
  - **Blue Handle:** Air Inlet module.
  - **Red Handle:** Air Exit module.
- [Figure 1: Airflow Direction Labels](#) displays fan and power supply module locations on the rear panel. Their red handles indicate that they are air exit modules. Verify that each module has the same airflow direction. Base the switch orientation on the airflow direction of the modules to assure the air inlet is always oriented toward the cool aisle:
  - **Air Exit modules:** orient the rear panel toward the hot aisle.
  - **Air Inlet modules:** orient the rear panel toward the cool aisle.

If the airflow direction is not compatible with the installation site, contact your sales representative to obtain modules that circulate air in the opposite direction.

- **Rack Space:** Install the switch in a 19" rack or cabinet. The switch height is 1 RU. The accessory kit provides mounting brackets for two-post and four-post racks.

When mounting the switch in a partially filled rack, load the rack from bottom to top, with the heaviest equipment at the bottom. Load the switch at the bottom if it is the only item in the rack.

- **Power Requirements:** Power requirements vary by switch and power supply model. Refer to [Table 3: Switch Specifications \(Power Input\)](#) and [Table 4: Switch Specifications \(Power Draw\)](#) for information regarding your specific system.

Two circuits provide redundancy protection. [Grounding the Switch](#) describes power cable requirements.

**Figure 1: Airflow Direction Labels**



- |                       |                       |                       |
|-----------------------|-----------------------|-----------------------|
| 1 PSU 1 label         | 3 Fan module 2 handle | 5 Fan module 4 handle |
| 2 Fan module 1 handle | 4 Fan module 3 handle | 6 PSU 2 label         |



**Note:** Handle or label color indicates airflow direction.



**Important:** The power input plug-socket combination must be accessible at all times; it provides the primary method of disconnecting power from the system.

La combinaison de la puissance-prise d'entrée doit être accessible en tout temps ; Il fournit le principal moyen de coupure d'alimentation du système.

- **Other Requirements:** Select a site where liquids or objects cannot fall onto the equipment and foreign objects are not drawn into the ventilation holes. Verify these guidelines are met:
  - Clearance areas to the front and rear panels allow for unrestricted cabling.
  - All front and rear panel indicators can be easily read.
  - Power cords can reach from the power outlet to the connector on the rear panel.



**Important:** All power connections must be removed to de-energize the unit.

Toutes les connexions d'alimentation doivent être enlevées pour hors tension l'appareil.

## 2.2 Tools and Parts Required for Installation

Each switch provides an accessory kit that contains parts that are required to install the switch. In addition to the accessory kit, the following tools and equipment are required to install the switch:

### Two-Post Rack

- Screws or rack mounting nuts and bolts.
- Screwdriver.

### Four-Post Rack (Tool-less)

No additional equipment required.

### Four-Post Rack (Conventional)

- Screws or rack mounting nuts and bolts.
- Screwdriver.

Accessory kit does not include screws for attaching the switch to the equipment rack. When installing the switch into an equipment rack with unthreaded post holes, nuts are also required to secure the switch to the rack posts.

## **2.3 Electrostatic Discharge (ESD) Precautions**

Observe these guidelines to avoid ESD damage when installing or servicing the switch.

- Assemble or disassemble equipment only in a static-free work area.
- Use a conductive work surface (such as an anti-static mat) to dissipate static charge.
- Wear a conductive wrist strap to dissipate static charge accumulation.
- Minimize handling of assemblies and components.
- Keep replacement parts in their original static-free packaging.
- Remove all plastic, foam, vinyl, paper, and other static-generating materials from the work area.
- Use tools that do not create ESD.



## Rack Mounting the Switch

---

The following topics are covered in this section:

- [Two-Post Rack Mount](#)
- [Four-Post Rack Mount](#)



**Important:** The rack mounting procedure is identical for all switches covered by this guide. Illustrations in this chapter depict the mounting of a DCS-7050QX-32S switch.

Les procédure de montage du bâti est identique pour tous les commutateurs visés par ce guide. Illustrations dans ce chapitre montrent le montage d'un interrupteur de DCS-7050QX-32S.

After completing the instructions for your rack type, proceed to [Cabling the Switch](#).

### 3.1 Two-Post Rack Mount

To mount the switch onto a two-post rack, assemble the mounting brackets to the chassis, then attach the brackets to the rack posts. Two-post accessory kits include the following two-post mounting parts:

#### 2- Three-hole Mounting Bbrackets

Each chassis side has attachment pins that align with bracket holes. Pin orientation is symmetric and equidistant, supporting bracket placements where the flange is flush with the front switch panel, flush with the rear panel, or not flush with either panel. Each bracket hole includes a key-opening for placing the bracket flush with the chassis and then locking it into place.



**Important:** Attachment pins must engage all three upper bracket holes.

Goupilles de fixation doivent être bloquer tous les trois trous de la bride supérieure.

[Figure 2: Bracket Mount Examples for Two-Post Rack Mount](#) displays proper bracket mount configuration examples. [Figure 3: Improper Bracket Mount Eamples for Two-Post Rack Mount](#) displays improper bracket mount configuration examples.



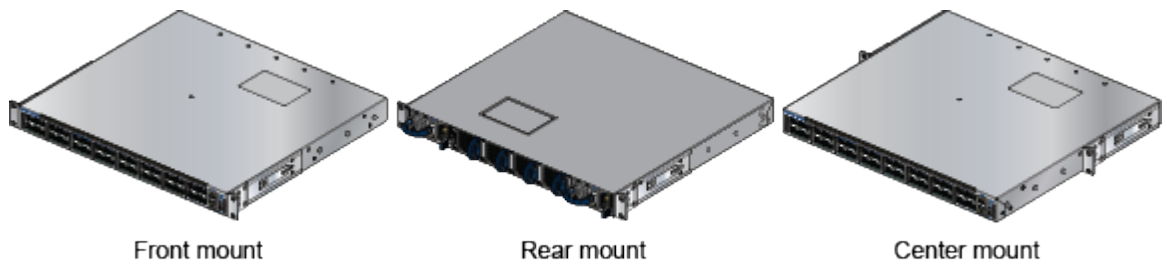
**Note:** Center-mount is recommended for two-post racks.

#### 3.1.1 Attaching Mounting Brackets to the Chassis

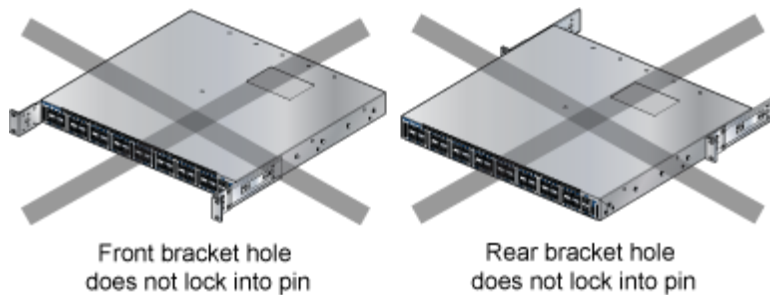
This procedure attaches mounting brackets to the switch chassis

1. Align the mounting brackets with the attachment pins to obtain the desired mounting position.
2. Place the bracket flush on the chassis with attachment pins protruding through key-openings.

**Figure 2: Bracket Mount Examples for Two-Post Rack Mount**

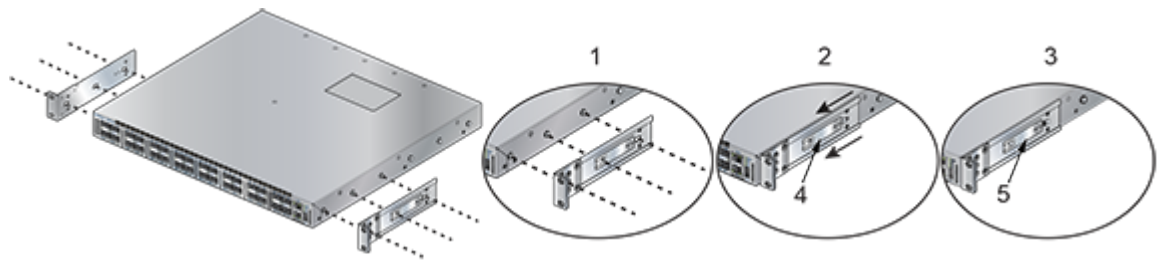


**Figure 3: Improper Bracket Mount Examples for Two-Post Rack Mount**



3. Slide the Bracket Toward the front Flange until the bracket clip locks with an audible click.

**Figure 4: Attaching the Mounting Brackets to the Switch Chassis**



- |          |                           |
|----------|---------------------------|
| 1 Step 1 | 4 Bracket clip (attached) |
| 2 Step 2 | 5 Bracket clip (aligned)  |
| 3 Step 3 |                           |

To remove the mounting bracket from the chassis, lift the front edge of the mounting bracket clip with a flathead screwdriver and slide the bracket away from the front flange (opposite from the installation direction).

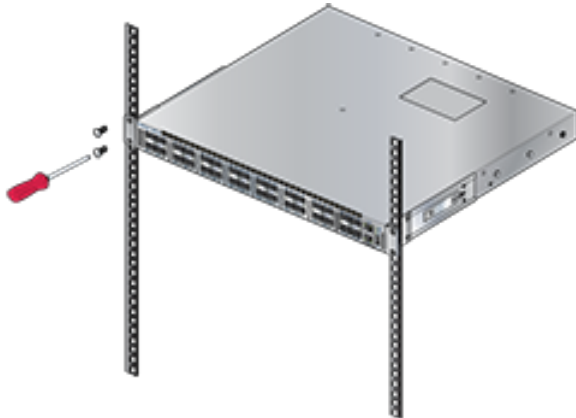
### 3.1.2 Inserting the Switch into the Rack

This procedure attaches the switch to the rack.

1. Lift the chassis into the rack. Position the flanges against the rack posts.
2. Select mounting screws that fit your equipment rack.

3. Attach the bracket flanges to the rack posts.

**Figure 5: Inserting the Switch into the Rack**



After completing the two-post rack mount, proceed to [Cabling the Switch](#).

## 3.2 Four-Post Rack Mount

The switch is mounted onto a four-post rack by assembling two rails onto the rear posts, sliding the switch onto the rails, then securing the switch to the front posts.

The installation kit provides the following four-post mounting parts:

- 2 six-hole mounting brackets
- 2 rail-rods
- 2 rail-slides

The rail-rods and rail-slides assemble into two identical slide-rails.

Each chassis side has attachment pins that align with bracket holes. Pin orientation is symmetric and equidistant, supporting bracket placements where the flange is flush with the front switch panel, flush with the rear panel, or not flush with either panel. Each bracket hole includes a key-opening for placing the bracket flush with the chassis and then locking it into place.

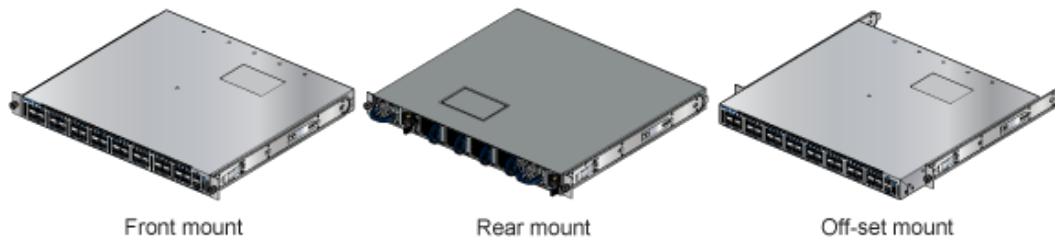


**Important:** Attachment pins must engage at least five of the six bracket holes.

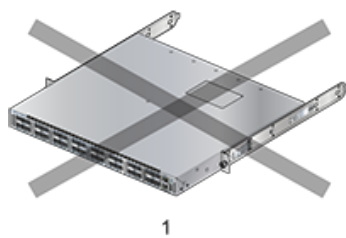
Goupilles de fixation doivent être lock au moins cinq des trous du six support.

Figure 6: Bracket Mount Examples for Four-Post Rack Mount displays proper bracket mount configuration examples. Figure 7: Improper Bracket Mount Example for Four-Post Rack Mount displays an improper bracket mount configuration example.

**Figure 6: Bracket Mount Examples for Four-Post Rack Mount**



**Figure 7: Improper Bracket Mount Example for Four-Post Rack Mount**

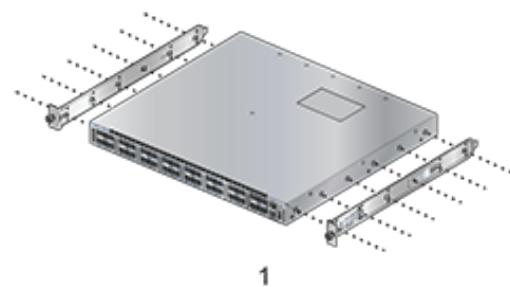


- 1 Bracket not attached by at least 5 pins

### 3.2.1 Attaching Mounting Brackets to the Chassis

Figure 8: Attaching the Mounting Brackets to the Switch Chassis displays the front bracket alignment for mounting the switch into a four-post rack.

**Figure 8: Attaching the Mounting Brackets to the Switch Chassis**



- 1 Attaching brackets for front mount

This procedure attaches mounting brackets to the switch chassis as depicted by Figure 8: Attaching the Mounting Brackets to the Switch Chassis.

1. Align the mounting brackets with the attachment pins to obtain the desired mounting position.
2. Place the bracket flush on the chassis with attachment pins protruding through key-openings.
3. Slide the bracket toward the front flange until the bracket clip locks with an audible click.



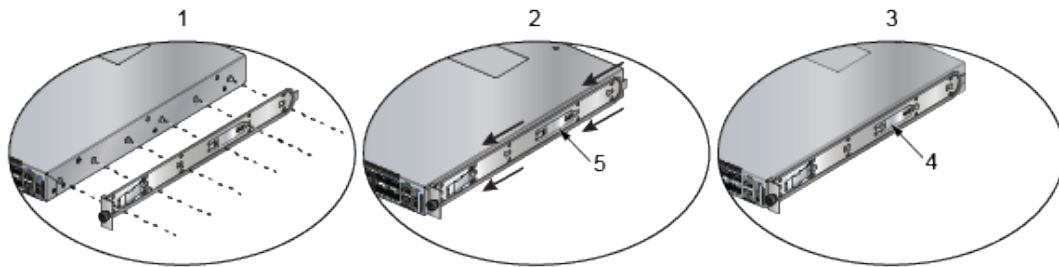
To remove the mounting bracket from the chassis, lift the front edge of the mounting bracket clip with a flathead screwdriver and slide the bracket away from the front flange (opposite from the installation direction).

### 3.2.2 Assembling the Rails onto the Equipment Rack

Rail-rods and rail-slides assemble into two identical rails. Each rail connects a front post to a rear post. When the rails are installed, the switch slides on the rails into the rack. Each bracket includes a screw that attaches the switch to the rail.

Each end of an assembled rail contains two rack plugs ([Attaching the Mounting Brackets to the Switch Chassis](#)). The rails are installed into a rack by inserting the plugs into rack slots. When installing rails into posts with threaded or rounded holes, remove all plugs located on both sides of the assembled rails, then install the rails with bolts that fit the rack.

**Figure 9: Attaching the Mounting Brackets to the Switch Chassis**



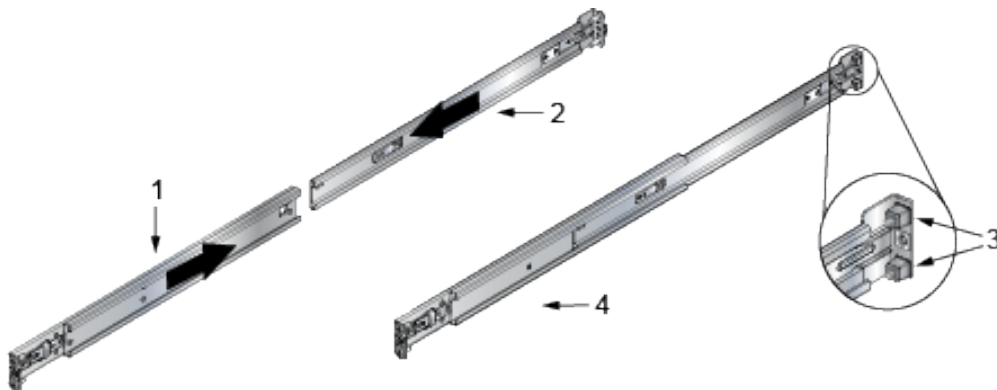
- |          |                           |
|----------|---------------------------|
| 1 Step 1 | 4 Bracket clip (attached) |
| 2 Step 2 | 5 Bracket clip (aligned)  |
| 3 Step 3 |                           |

This procedure attaches the rails to a four post rack:

1. Slide a rail-rod into a rail-slide ([Figure 10: Assembling the Rails](#)) until the rail clip makes an audible click.

The rail clip prevents the extension of the rail beyond the maximum supported distance between the front and rear rack posts.

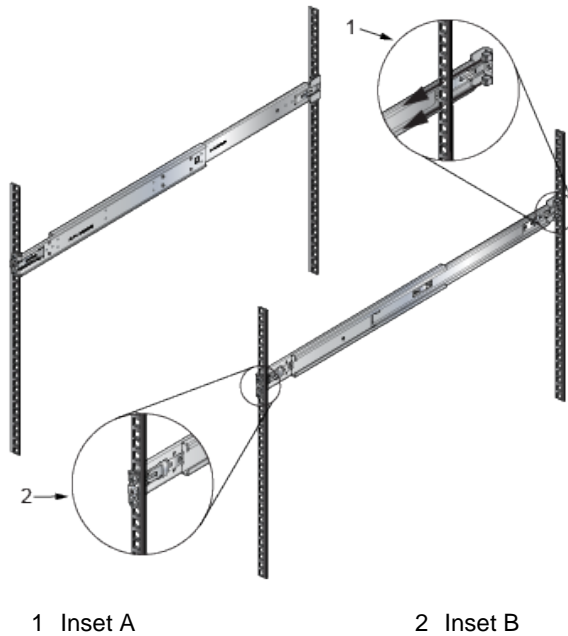
**Figure 10: Assembling the Rails**



- |              |                    |
|--------------|--------------------|
| 1 Rail-slide | 3 Rack plugs       |
| 2 Rail-rod   | 4 Rail (assembled) |

- 
2. Attach rail to the right rear rack post by inserting rod-end rack plugs into post slots ([Attaching the Rails - Inset A](#)). The slide assembly must be inside the right posts, relative to the left rack posts.  
If the rack plugs were previously removed, use bolts to attach the rail to the rack.
  3. Attach the slide end of the rail to the front post by extending the rail end past the post, then contracting the rail while guiding the rack plugs into the post ([Attaching the Rails - Inset B](#)).
  4. Repeat Step 1 through Step 3 for the left posts. Ensure the rails are on the same horizontal level.

**Figure 11: Attaching the Rails**

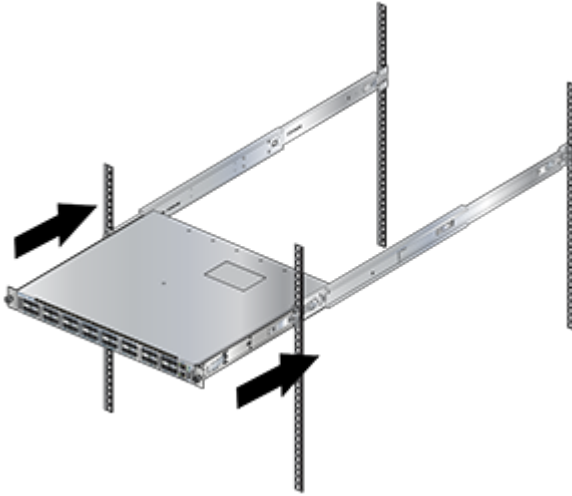


### 3.2.3 Attaching the Switch to the Rack

After the rails are installed, the switch slides on the rails into the rack. Each bracket includes a thumb screw that attaches the switch to the rail.

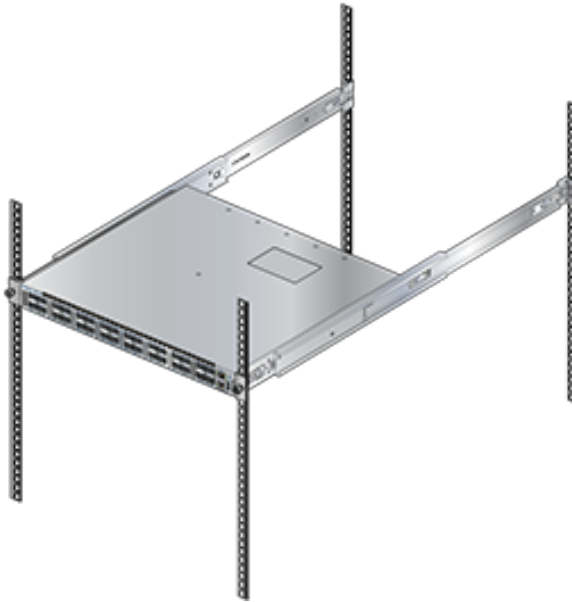
1. Lift the switch into the rack and insert the mounting brackets into the slide rails ([Figure 12: Inserting the Switch onto the Rails](#)).

**Figure 12: Inserting the Switch onto the Rails**



2. Slide the switch on the rails, toward the rear posts, until the mounting bracket flanges are flush with the rail flanges attached to the rack posts.
3. Attach the bracket flanges to the rack post using the quick-release thumb screws supplied with the brackets ([Figure 13: Attaching the Switch to the Rack Posts](#)).

**Figure 13: Attaching the Switch to the Rack Posts**



After completing the four-post rack mount, proceed to [Cabling the Switch](#).



## Cabling the Switch

The following topics are covered in this section:

- [Grounding the Switch](#)
- [Connecting Power Cables](#)
- [Connecting Serial and Management Cables](#)

### 4.1 Grounding the Switch

After mounting the switch into the rack, connect the switch to the data center ground. [Figure 14: Earth Grounding Pad Sockets for Models without Management Ports on the Rear Panel](#) displays the location of the grounding pads located on the bottom corners of the rear panel for the models that have no management ports on the rear panel. [Figure 15: Earth Grounding Pad Sockets for Models with Management Ports on the Rear Panel](#) displays the location of the grounding pads on the rear panel for models that have management ports on the rear panel. There are threaded holes under the sticker on the right (next to PS2) that warns about “1 min”. [Figure 16: DCS-7060PX4-32 and DCS-7060DX4-32 Rear Panel](#) displays the rear panel of the DCS-7060PX4-32 and DCS-7060DX4-32 devices.

**!** **Important:** Grounding wires and grounding lugs (M4 x 0.7) are not supplied. Wire size should meet local and national installation requirements. Commercially available 6 AWG wire is recommended for installations in the U.S.

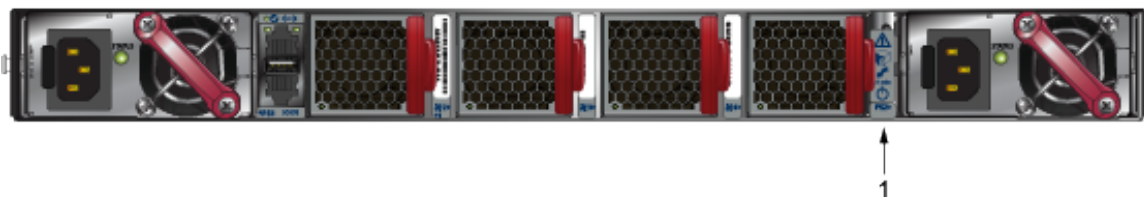
À la terre et de mise à la terre fils cosses (M4 x 0.7) ne sont pas fournis. Calibre des fils doit satisfaire des exigences de l'installation locale et nationale. Disponible dans le commerce 6 fils AWG est recommandé pour les installations aux États-Unis.

**Figure 14: Earth Grounding Pad Sockets for Models without Management Ports on the Rear Panel**



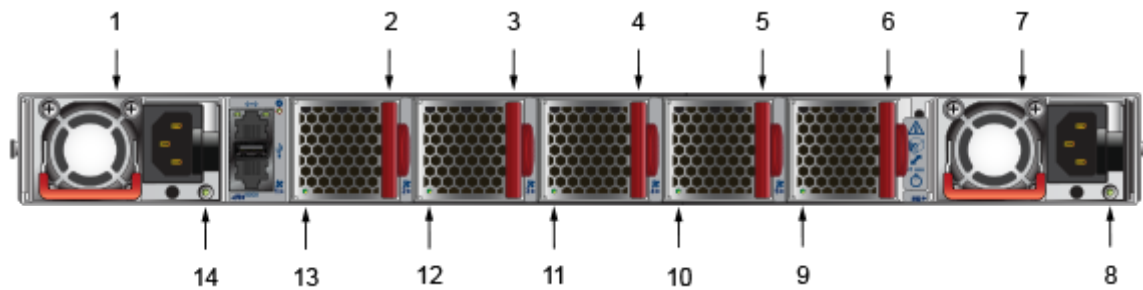
1 Earth grounding pad

**Figure 15: Earth Grounding Pad Sockets for Models with Management Ports on the Rear Panel**



1 Earth grounding pad

Figure 16: DCS-7060PX4-32 and DCS-7060DX4-32 Rear Panel



- |                         |                            |                            |
|-------------------------|----------------------------|----------------------------|
| 1 Power supply module 1 | 6 Fan module 5             | 11 Fan module 3 status LED |
| 2 Fan module 1          | 7 PSU 2                    | 12 Fan module 2 status LED |
| 3 Fan module 2          | 8 PSU 2 status LED         | 13 Fan module 1 status LED |
| 4 Fan module 3          | 9 Fan module 5 status LED  | 14 PSU 2 status LED        |
| 5 Fan module 4          | 10 Fan module 5 status LED |                            |



**Note:** Earth grounding pad is under label between fan module 5 and PSU 2.

## 4.2 Connecting Power Cables



**Important:** Installation of this equipment must comply with local and national electrical codes. If necessary, consult with the appropriate regulatory agencies and inspection authorities to ensure compliance.

Installation de cet équipement doit être conformes aux codes électriques locaux et nationaux. Si nécessaire, consulter les organismes de réglementation appropriés et des autorités de contrôle pour assurer la conformité.

The switch operates with two installed power supplies. At least one power supply must connect to a power source. Two circuits provide redundancy protection. [Rear Panel](#) displays the location of the power supplies on the rear panel of the switch.



**Important:** Read all installation instructions before connecting the system to the power source.

Lire toutes les instructions d'installation avant de brancher le système à la source d'alimentation.

- **Non-Redundant Configuration:** Connect power to either of the two power supplies.
- **Redundant Power Supply Configuration:** Connect power to both power supplies.
- **Power down the Switch:** Remove all power cords and wires from the power supplies.



**Important:** This equipment must be grounded. Never defeat the ground conductor.

Cet équipement doit être mis à la terre. Ne jamais modifier le conducteur de terre.



**Important:** This unit requires overcurrent protection.

Cet appareil requiert une protection contre les surintensités.

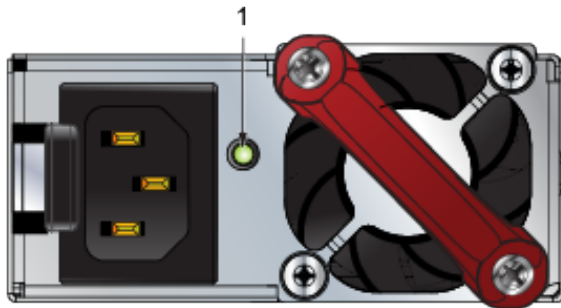
## 4.2.1 AC Power Supplies

The following AC power supplies are supported.

- PWR-500AC
- PWR-1611-AC-RED

[Figure 17: AC Power Supply](#) displays the two AC power supplies, including the power socket on the left side of the module. The AC power supply connects to a circuit that provides the required power, as specified by [Table 4: Switch Specifications \(Power Draw\)](#).

**Figure 17: AC Power Supply**



1 Power supply status LED



**Note:** Handle color indicates airflow direction.

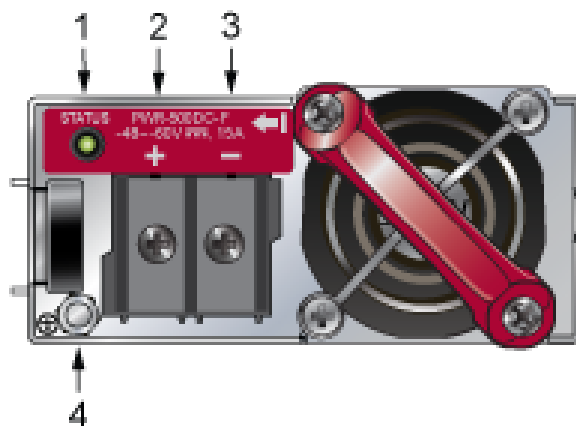
The power supplies require power cables that comply with IEC-320 and have a C13 plug. The accessory kit provides two IEC-320 C13 to C14 power cables.

## 4.2.2 DC Power Supplies

The following DC power supplies are supported.

- PWR-500-DC

**Figure 18: Supported DC Power Supplies**



1 Power supply status LED

2 -48V

3 Battery Return

4 Protective Earth



**Important:** A disconnect device must be provided as part of the installation.

Un dispositif de sectionnement doit être fourni dans le cadre de l'installation.



**Important:** Ensure power is removed from DC circuits before performing any installation actions. Locate the disconnect device, circuit breakers or fuses on DC power lines servicing the circuits. Turn off the power line circuits or remove the fuses.

Pouvoir assurer qu'il est retiré de circuits DC avant d'effectuer des actions d'installation . Localiser les disjoncteurs ou des fusibles sur les lignes de courant continu desservant les circuits. Coupez les circuits de lignes d'alimentation ou retirer les fusibles.



**Important:** Wire size must comply with local and national requirements and electrical codes. Use only copper wire.

Le calibre du fil doit être conforme aux exigences locales et nationales et les codes électriques. Utiliser du fil de cuivre.



**Important:** Apply ground connection to the switch first during installation and remove last when removing power.

Appliquer connexion à la terre à l'interrupteur premier lors de l'installation et de supprimer la dernière alimentation lors du débranchement.

### 4.2.3 Connecting the PWR-500-DC Power Supply

The PWR-500W-DC power supply connects to a circuit that provides -48V to -60V and 15A. Ensure the wires connecting the DC power supply to the power source meet the following:

- DC Input Wire Size: AWG 14 (2.0 mm<sup>2</sup>) or larger as appropriate.
- Safety Ground Wire Size: AWG 14 (2.0 mm<sup>2</sup>) or larger as appropriate.
- Wire Terminal (Lug): ring or spade/fork, 14-16 AWG, #8 (4 mm) screw.
- Over-current protection: 20 A.



**Important:** Ensure power is removed from DC circuits before performing any installation actions. Locate circuit breakers or fuses on DC power lines servicing the circuits. Turn off the power line circuits or remove the fuses.

Assurez-vous de pouvoir retirer des circuits en courant continu avant d'effectuer toute action d'installation. Localiser les disjoncteurs ou fusibles sur les lignes électriques DC entretien des circuits. Mettez hors tension le circuit ligne ou retirer les fusibles.

To connect a DC power supply to power source:

1. Remove the terminal cover to expose the connectors on the terminal block on the face.
2. Attach the appropriate lugs to the source DC wires.

Use DC cables with either insulated crimp-on spade lugs or insulated crimp-on ring connectors.



**Important:** Wire size must comply with local and national requirements and electrical codes. Use only copper wire.

Calibre doit respecter les exigences locales et nationales et les codes de l'électricité. Utiliser seulement du fil de cuivre.

3. Connect the DC-input wires to the terminal block in this order:
  - a. Ground cable to the ground connector on the face of the power supply.
  - b. Negative (–) source DC cable to the negative (–) connector on the terminal block.
  - c. Positive (+) source DC cable to the positive (+) connector on the terminal block.



- d. Torque the screws to 1.0 N-m / 9 in-lb.



**Important:** Apply the ground connection first during installation and remove last when removing power.

Appliquer le motif connexion tout d'abord pendant l'installation et supprimer dernière lors du retrait de puissance.

- e. Replace the terminal cover.

## 4.3 Connecting Serial and Management Cables

The accessory kit includes the following cables:

- RJ-45 to DB-9 serial adapter cable.
- RJ-45 Ethernet cable.

Either the front panel or the rear panel has the console, management, and USB ports. [Front Panel](#) and [Rear Panel](#) display the front and rear panels of all switches covered by this guide.

[Table 5: RJ-45 to DB-9 Connections](#) lists the pin connections of the RJ-45 to DB-9 adapter cable.

**Table 5: RJ-45 to DB-9 Connections**

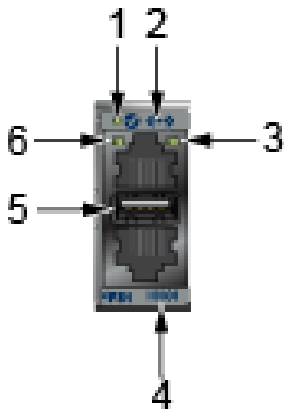
RJ-45		DB-9		RJ-45		DB-9	
RTS	1	8	CTS	GND	5	5	GND
DTR	2	6	DSR	RXD	6	3	TXD
TXD	3	2	RXD	DSR	7	4	DTR
GND	4	5	GND	CTS	8	7	RTS



**Note:** RJ-45 to DB-9 connections: For models with a console management port on the rear panel, RJ-45 pin 1 (RTS) is connected to RJ-45 pin 8 (CTS); RJ-45 pin 2 (DTR) and RJ-45 pin 7 (DSR) are not electrically connected to any signal.

Figure 19: Console, Management, and USB Ports displays the console, management, and USB ports in a representative configuration. Some earlier devices have ports where the USB port is located slightly differently.

Figure 19: Console, Management, and USB Ports



- |                            |                       |                   |
|----------------------------|-----------------------|-------------------|
| 1 System status LED        | 3 Activity status LED | 5 USB port        |
| 2 Ethernet management port | 4 Serial console port | 6 Link status LED |

Connect the front or rear panel ports as follows:

- **Console (Serial) Port:** Connect to a PC with the RJ-45 to DB-9 serial adapter cable. The switch uses the following default settings:
  - 9600 baud
  - No flow control
  - 1 stop bit
  - No parity bits
  - 8 data bits
- **Ethernet Management Port:** Connect to 10/100/1000 management network with RJ-45 Ethernet cable.
- **USB Port:** The USB port may be used for software or configuration updates.



**CAUTION:** Excessive bending can damage interface cables, especially optical cables.

Flexion excessive peut endommager les câbles d'interface, notamment des câbles optiques.

## Configuring the Switch

---

Arista switches ship from the factory in Zero Touch Provisioning (ZTP) mode. ZTP configures the switch without user intervention by downloading a startup configuration file or a boot script from a location specified by a DHCP server. To manually configure a switch, ZTP is bypassed. The initial configuration provides one username (**admin**) accessible only through the console port because it has no password.

When bypassing ZTP, initial switch access requires logging in as **admin**, with no password, through the console port. Then you can configure an **admin** password and other password protected usernames.

This manual configuration procedure cancels ZTP mode, logs into the switch, assigns a password to **admin**, assigns an IP address to the management port, and defines a default route to a network gateway.

1. Provide power to the switch ([Cabling the Switch](#)).
2. Connect the console port to a PC ([Connecting Serial and Management Cables](#)).

As the switch boots without a startup-config file, it displays the following through the console:

```
The device is in Zero Touch Provisioning mode and is attempting to
download the startup-config from a remote system. The device will not
be fully functional until either a valid startup-config is downloaded
from a remote system or Zero Touch Provisioning is cancelled. To cancel
Zero Touch Provisioning, login as admin and type 'zerotouch cancel'
at the CLI.
localhost login:
```

3. Log into the switch by typing **admin** at the login prompt.

```
localhost login:admin
```

4. Cancel ZTP mode by typing **zerotouch cancel**.



**Important:** This step initiates a switch reboot.

```
localhost>zerotouch cancel
```

5. After the switch boots, log into the switch again by typing **admin** at the login prompt.

```
Arista EOS localhost
login:admin
Last login: Fri Mar 15 13:17:13 on console
```

6. Enter global configuration mode.

```
localhost>enable
localhost#config
```

7. Assign a password to the **admin** username with the **username secret** command.

```
localhost(config)#username admin secret pxq123
```

8. Configure a default route to the network gateway.

```
localhost(config)#ip route 0.0.0.0/0 192.0.2.1
```

9. Assign an IP address (**192.0.2.8/24** in this example) to an Ethernet management port.

```
localhost(config)#interface management 1  
localhost(config-if-Ma1/1)#ip address 192.0.2.8/24
```

10. Save the configuration by typing **write memory** or **copy running-config startup-config**.

```
localhost#copy running-config startup-config
```

11. When the management port IP address is configured, use this command to access the switch from a host, using the address configured in Step 9:

```
ssh admin@192.0.2.8
```

Refer to the *Arista Networks User Manual* for complete switch configuration information.

## Status Indicators

---

The following topics are covered in this section:

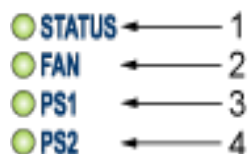
- [Front Indicators](#)
- [Rear Status Indicators](#)

### A.1 Front Indicators

#### A.1.1 Switch Indicators

Front panel LEDs are located on the right side of the chassis and display system, fan, and power supply status. The front panel LEDs are labeled either as in [Figure 20: System Status Indicators](#) or as in [Figure 21: System Status Indicators](#). Check your device for the specific method utilized.

**Figure 20: System Status Indicators**



1 System status LED

2 Fan status LED

3 Power supply 1 status LED

4 Power supply 2 status LED

**Figure 21: System Status Indicators**



1 System status LED

2 Fan status LED

3 Power supply 1 status LED

4 Power supply 2 status LED

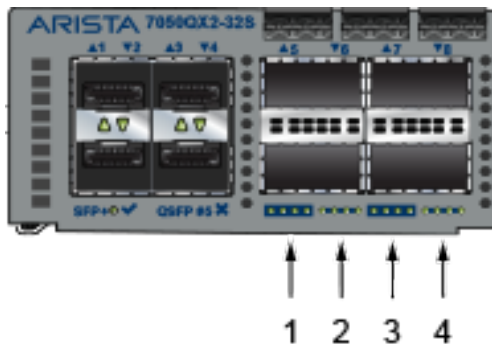
**Table 6: Switch Indicators LED States (Front)**

<b>LED Name</b>	<b>LED State</b>	<b>Device Status</b>
System Status LED	Blinking Green	System is powering up.
	Green	Normal operations. Due to power supply and fan redundancy, this LED will remain green if a single fan or power supply is missing or in a failed state.
	Blue	The locator function is active.
	Amber	Two or more fans (any combination of fan modules or PSU fans) are disconnected or malfunctioning. The switch will automatically execute a “graceful shutdown” shortly.
Fan Status LED	Green	All fan and power modules are operating normally.
	Amber	Single fan module is removed or malfunctioning. It is also amber when a PSU is completely removed or has a stuck fan rotor.
	Red	Two or more fans (any combination of fan modules or PSU fans) are disconnected or malfunctioning. The switch will automatically execute a “graceful shutdown” shortly.
PSU [1:2] Status LED	Green	PSU is functioning and fully operational. AC is present, Aux output is ON, and Main output is ON.
	Off	PSU has been removed or is not operating properly due to AC cord being unplugged, its fan rotor being stuck, or an internal fault.

## A.1.2 Port Indicators

Port LEDs, located in the vicinity of their corresponding ports, provide link and operational status. [Figure 22: Port LEDs](#) displays the Port LED location on the DCS-7050QX-32S switch.

**Figure 22: Port LEDs**



- 1 Port 1 LEDs
- 2 Port 2 LEDs
- 3 Port 3 LEDs
- 4 Port 4 LEDs

[Table 7: Port LED States \(Front\)](#) provides status conditions that correspond to port LED states. Port LED behavior for QSFP+ and SFP+ ports is consistent.

**Table 7: Port LED States (Front)**

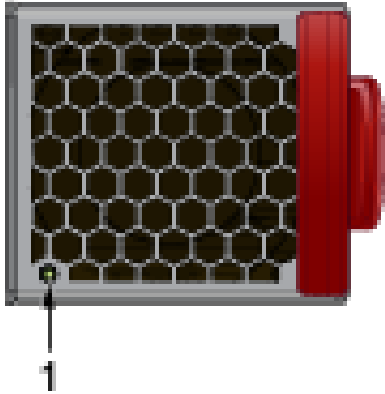
LED State	Status
Off	Port link is down.
Green	Port link is up.
Yellow	Port is software disabled.
Flashing Yellow	Port failed diagnostics.

## A.2 Rear Status Indicators

Fan and power supply modules are accessed from the rear panel. Each fan and power supply module contains an LED that reports the module status.

Fan module status LEDs are on the fan modules, as displayed in [Figure 23: Fan Status LED](#).

**Figure 23: Fan Status LED**



1 Fan module status LED

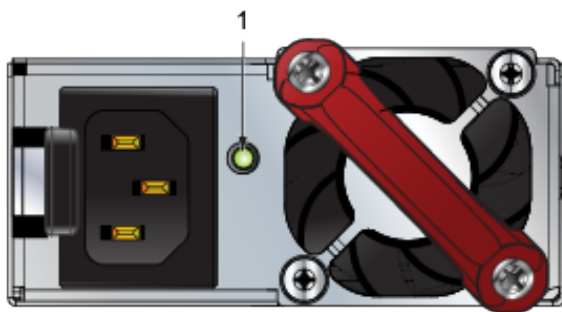
[Table 8: Fan Status LED States \(Rear\)](#) provides status conditions that correspond to fan module status LED states.

**Table 8: Fan Status LED States (Rear)**

LED State	Status
Off	The fan module is not detected. If it is inserted, it may not be seated properly.
Green	The fan is operating normally. This LED state is exclusive to its fan module, and independent of the states of its neighboring fans and power supplies.
Red	The fan has failed.

The AC Power Supply Status LEDs are on the power supply modules, as displayed in [Figure 24: AC Power Supply Status LED](#).

**Figure 24: AC Power Supply Status LED**



1 Power supply status LED



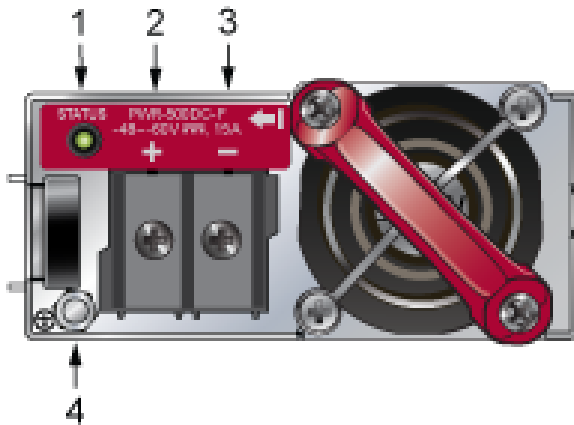
Table 9: AC Power Supply Status LED States (Rear) provides status conditions that correspond to the AC power supply status LED states.

**Table 9: AC Power Supply Status LED States (Rear)**

Power Supply State	PWR-500AC-F PWR-500AC-R
Input power present Normal operation	Green
Input power present Power Supply fault	Yellow
No Input power Supply installed in chassis	Off
Input power present Supply not installed in chassis	Green

The DC Power Supply Status LEDs are on the power supply modules, as displayed in Figure 25: DC Power Supply Status LED.

**Figure 25: DC Power Supply Status LED**



- 1 Power supply status LED
- 2 -48V
- 3 Battery Return
- 4 Protective Earth

Table 10: DC Power Supply Status LED States (Rear) provides status conditions that correspond to the DC power supply status LED states.

**Table 10: DC Power Supply Status LED States (Rear)**

Power Supply State	PWR-500-DC-F PWR-500-DC-R
Input power present Normal operation	Green
Input power present Power Supply fault	Blinking Yellow
No Input power Supply installed in chassis	Off

<b>Power Supply State</b>	<b>PWR-500-DC-F</b> <b>PWR-500-DC-R</b>
Input power present Supply not installed in chassis	Blinking Yellow



**Note:** You can narrow down the error condition by logging in to the switch to view the specific device state. Refer to the Arista User Manual's Switch Environment Control chapter, under the topic Viewing Environment Status, for further information on the **show environment** commands.

# Parts List

---

The following topics are covered in this section:

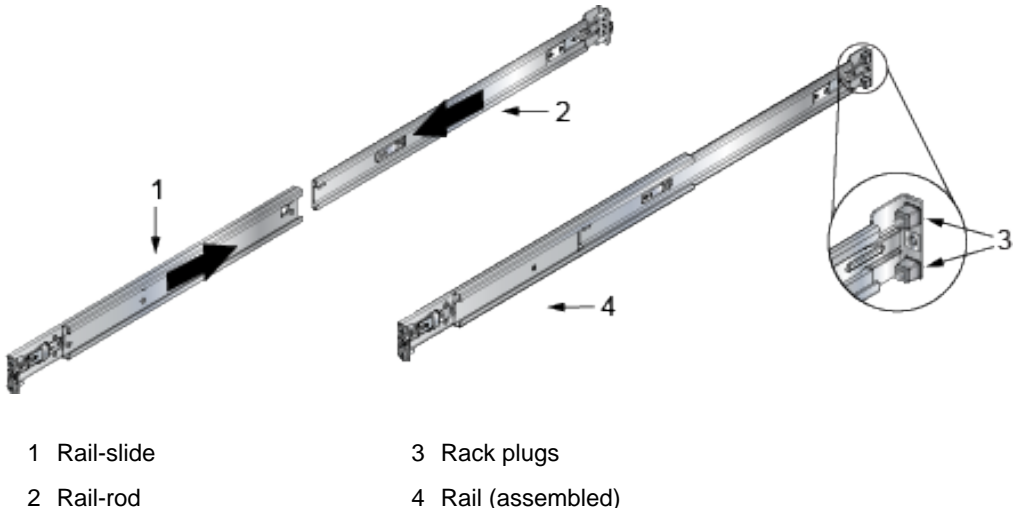
- [Rack Mount Parts](#)
- [Cables](#)

Each switch provides an accessory kit that contains parts that are required to install the switch. This appendix lists the installation parts contained in the switch accessory kit.

## B.1 Rack Mount Parts

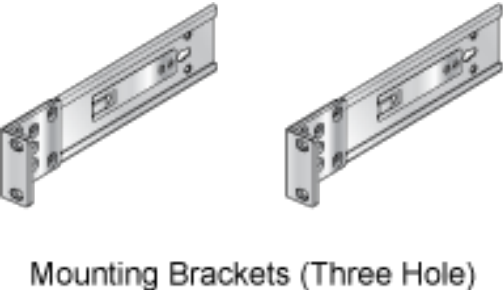
### B.1.1 Four-Post Rack Mount Parts

Figure 26: Four-Post Rack Mount Parts



### B.1.2 Two-Post Rack Mount Parts

Figure 27: Two-Post Rack Mount Parts



## B.2 Cables

Quantity	Description
2	Power cables: IEC-320/C13-C14, 13 A, 250 V
1	RJ-45 Patch Panel Cable
1	RJ-45 to DB9 Adapter Cable



**Warning:** All provided power cables are for use only with Arista products.

警告

すべての電源コードは提供する製品で使用するためだけを目的としている。

電源コードの他の製品での使用の禁止

Aristaが提供するすべての電源コードは、Aristaの製品でのみ使用してください。

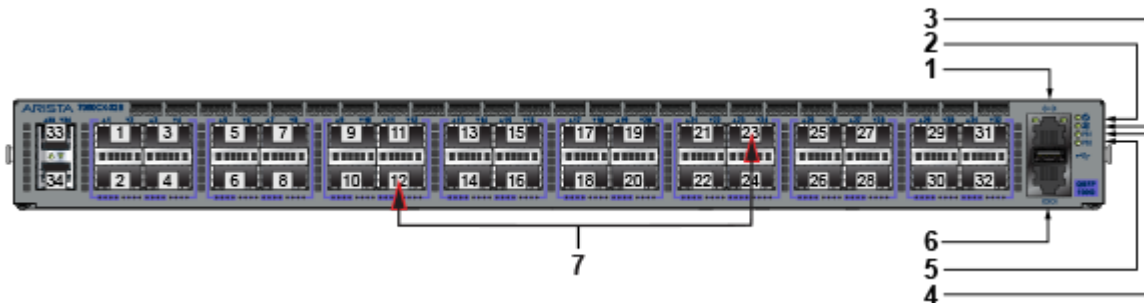
## Front Panel

This appendix displays the front panel of all switches covered by this guide.



**Note:** All devices are designed to fit into a 19" rack. The appearance may be different than those shown based on the PSU and the fan modules used.

**Figure 28: DCS-7060CX-32S**



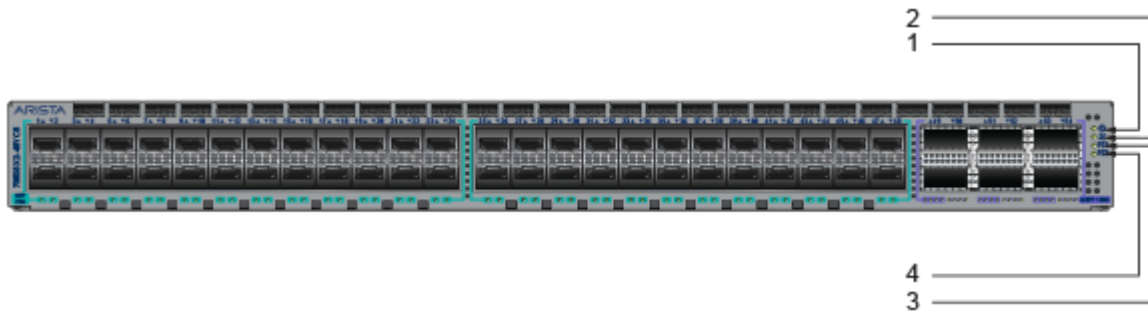
- |                            |                             |                       |
|----------------------------|-----------------------------|-----------------------|
| 1 Ethernet management port | 4 Power supply 1 status LED | 7 Console serial port |
| 2 System status LED        | 5 Power supply 2 status LED |                       |
| 3 Fan status LED           | 6 USB port                  |                       |

**Figure 29: DCS-7060CX2-32S**



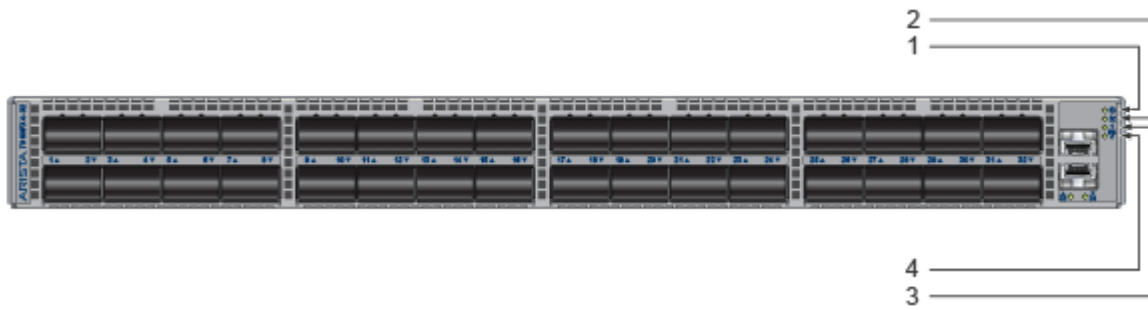
- |                            |                             |                       |
|----------------------------|-----------------------------|-----------------------|
| 1 Ethernet management port | 4 Power supply 1 status LED | 7 Console serial port |
| 2 System status LED        | 5 Power supply 2 status LED |                       |
| 3 Fan status LED           | 6 USB port                  |                       |

**Figure 30: DCS-7060SX2-48YC6**



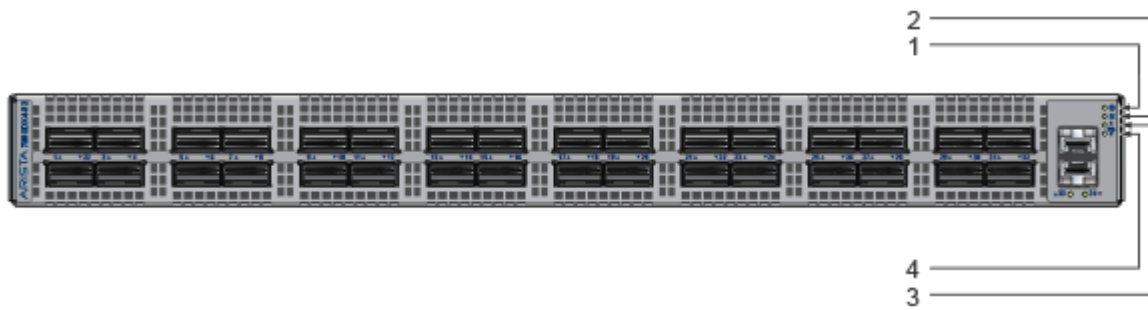
- |                     |                             |
|---------------------|-----------------------------|
| 1 System status LED | 3 Power supply 1 status LED |
| 2 Fan status LED    | 4 Power supply 2 status LED |

**Figure 31: DCS-7060PX4-32**



- |                     |                             |
|---------------------|-----------------------------|
| 1 System status LED | 3 Power supply 1 status LED |
| 2 Fan status LED    | 4 Power supply 2 status LED |


**Figure 32: DCS-7060DX4-32, DCS-7060DX4-32S**




- |                     |                             |
|---------------------|-----------------------------|
| 1 System status LED | 3 Power supply 1 status LED |
| 2 Fan status LED    | 4 Power supply 2 status LED |

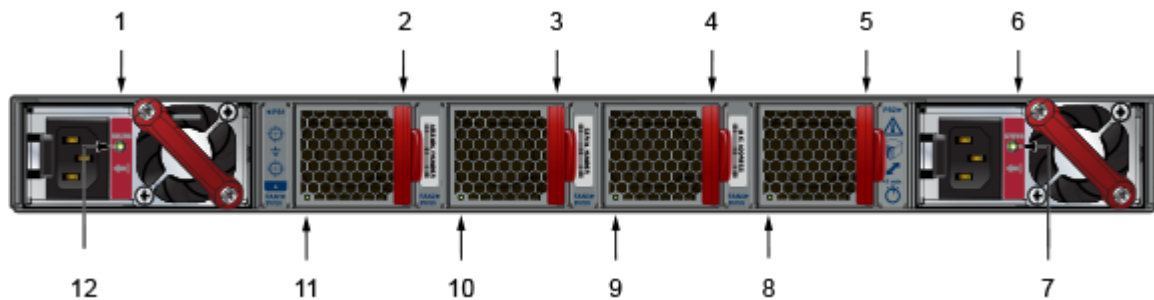
## Rear Panel

All switches covered by this guide use one of the rear panels shown below. Depending on the installed power supply module, the appearance could be different from those shown.

 **Note:** All devices are designed to fit into a 19" rack. The appearance may be different than those shown based on the PSU and the fan modules used.

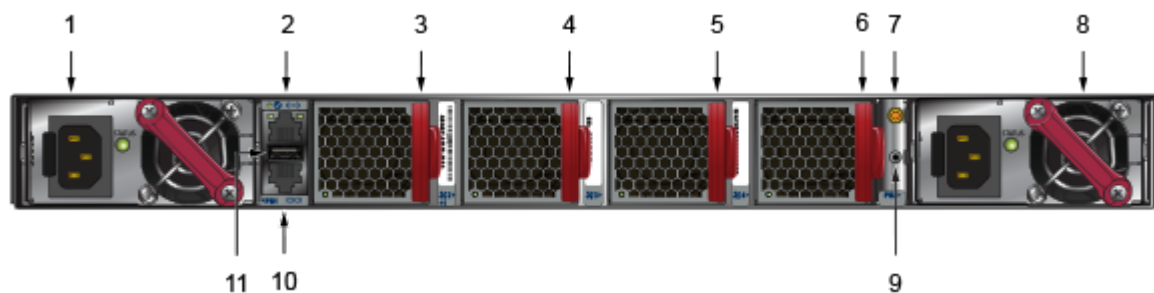
 **Note:** Handle or label color indicates airflow direction.

**Figure 33: Rear Panel for Models with Management Ports in the Front**



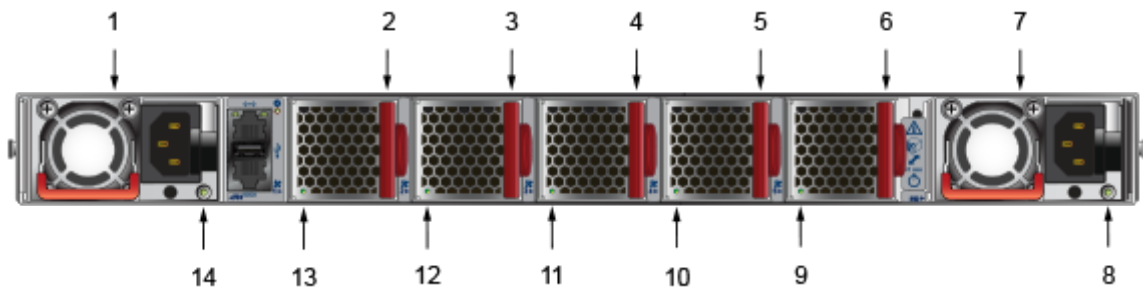
- |                         |                           |                            |
|-------------------------|---------------------------|----------------------------|
| 1 Power supply module 1 | 5 Fan module 4            | 9 Fan module 3 status LED  |
| 2 Fan module 1          | 6 Power supply module 2   | 10 Fan module 2 status LED |
| 3 Fan module 2          | 7 PSU module 2 status LED | 11 Fan module 1 status LED |
| 4 Fan module 3          | 8 Fan module 4 status LED | 12 PSU module 1 status LED |

**Figure 34: Rear Panel for Models with Management Ports in the Rear**



- |                            |                |                        |
|----------------------------|----------------|------------------------|
| 1 Power supply module 1    | 5 Fan module 3 | 9 Earth grounding pad  |
| 2 Ethernet management port | 6 Fan module 4 | 10 Console serial port |
| 3 Fan module 1             | 7 Clock Input  | 11 USB port            |
| 4 Fan module 2             | 8 PSU 2        |                        |

Figure 35: DCS-7060PX4-32 and DCS-7060DX4-32 Rear Panel



- |                         |                            |                            |
|-------------------------|----------------------------|----------------------------|
| 1 Power supply module 1 | 6 Fan module 5             | 11 Fan module 3 status LED |
| 2 Fan module 1          | 7 PSU 2                    | 12 Fan module 2 status LED |
| 3 Fan module 2          | 8 PSU 2 status LED         | 13 Fan module 1 status LED |
| 4 Fan module 3          | 9 Fan module 5 status LED  | 14 PSU 2 status LED        |
| 5 Fan module 4          | 10 Fan module 5 status LED |                            |



## Maintenance and Field Replacement

---

The following topics are covered in this section:

- [Considerations](#)
- [Power Supplies](#)
- [Fan Modules](#)

### E.1 Considerations

- All fans and power supplies are hot swappable.
- The switch can be running while a power supply is being installed or removed, but the power supply being replaced must not be connected to a power source.
- All slots must be filled or covered with a blank for operation (even though power supply or fans may not be functional).
- Before you begin, refer to the Arista Networks document Safety Information and Translated Safety Warnings available at: <https://www.arista.com/en/support/product-documentation>.



**Note:** Descriptions for the removal and replacement of power supplies and fans are for a representative power supply or fan. Locations of status indicator LEDs may differ. Refer to the front and rear panel illustrations of your device to locate the appropriate LED.

### E.2 Power Supplies

The following steps are required when removing and replacing power supplies from a switch.



**Note:** Only a representative power supply module is shown in [Figure 36: Remove and Install Power Supply](#). For the location of the power supply on your switch, refer to [Rear Panel](#).

#### E.2.1 Removing a Power Supply

1. Ground yourself with an ESD wrist strap.
2. Power down the power supply to be removed by disconnecting the AC power cable.
3. Push the power supply release lever and remove the power supply ([Figure 36: Remove and Install Power Supply](#)).

**Figure 36: Remove and Install Power Supply**



1 Release lever

2 Remove PSU

---

## E.2.2 Installing a Power Supply

You must make space for installing the power supply by removing an existing one ([Removing a Power Supply](#)).

1. Remove the replacement power supply from its packaging.
2. Slide the new power supply into the empty slot.
3. Slide the new power supply into the switch until the power supply is fully seated and the release lever snaps into place ([Figure 36: Remove and Install Power Supply](#)).
4. Connect the power cord to the power supply.
5. Verify the LED(s) on the power supply.



**Note:** The Power Supply status LED should be a steady green for normal operation.

6. Verify the new power supply operation by issuing the `show environment power` command.

```
switch#show environment power
```

7. The output of the command will list the power supplies in operation and should include the one you replaced.

## E.3 Fan Modules



**Note:** Hot swap fans within 30 seconds to prevent the switch from overheating. Ensure that the module you are replacing matches those already installed in the switch.

### E.3.1 Removing a Fan Module

The following steps are required when removing or replacing fans from a switch.

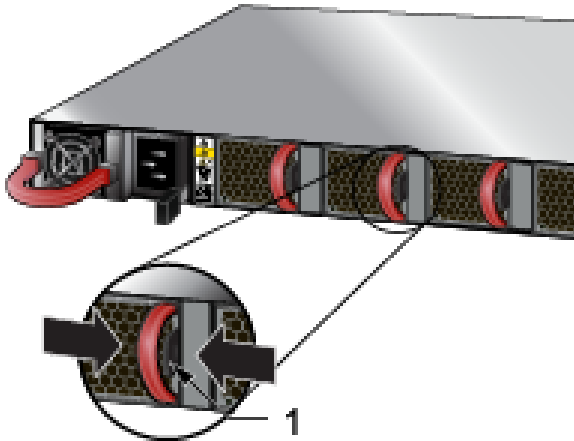


**Note:** Only a representative fan module is shown in [Figure 37: Removing Fan Module](#). For the location of the fan modules on your switch, refer to [Rear Panel](#).

1. Ground yourself with an ESD wrist strap.

2. Push the fan module release lever and slide the fan module out of the switch ([Figure 37: Removing Fan Module](#)).

**Figure 37: Removing Fan Module**



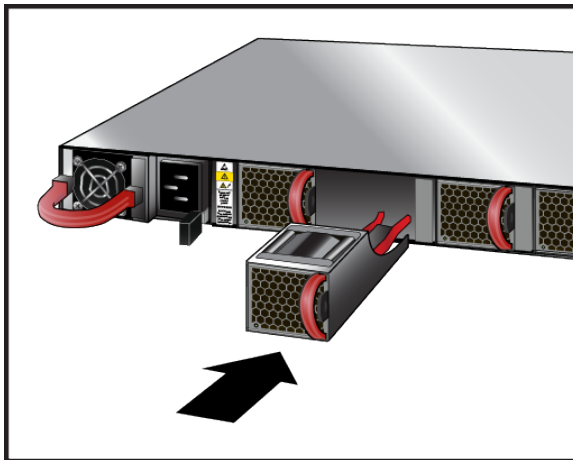
1 Release lever

### E.3.2 Installing a Fan Module

You must make space for installing the fan module by removing an existing one ([Removing a Fan Module](#)).

1. Remove the replacement fan from its packaging.
2. Slide the new fan module into the switch until the module is fully seated and the release lever snaps into place ([Figure 38: Inserting the Fan Module](#)).

**Figure 38: Inserting the Fan Module**



3. Verify that the fan module is working normally.



**Note:** The fan module status LED should be a steady green for normal operation.



# Regulatory Model Numbers

---

This appendix lists the Regulatory Model Numbers (RMNs), where applicable, for the product models for the switches described in this document.

**Table 11: Regulatory Model Numbers and Product Numbers**

<b>Regulatory Model Number (RMN)</b>	<b>Product Number(s)</b>
DCS-7060CX-32S	DCS-7060CX-32S
DCS-7060CX2-32S	DCS-7060CX2-32S
AN1622	DCS-7060SX2-48YC6
AN1709	DCS-7060PX4-32
AN1716	DCS-7060DX4-32
AN1790	DCS-7060DX4-32S



## Taiwan RoHS Information

---

This appendix provides Taiwan RoHS information for switches covered by this guide.

For Taiwan BSMI RoHS Table, go to <https://www.arista.com/assets/data/pdf/AristaBSMIroHS.pdf>.

